

# 09225PB (旧 3610PS)

92<sup>□</sup>X25<sup>L</sup>

## AC Axial Fan

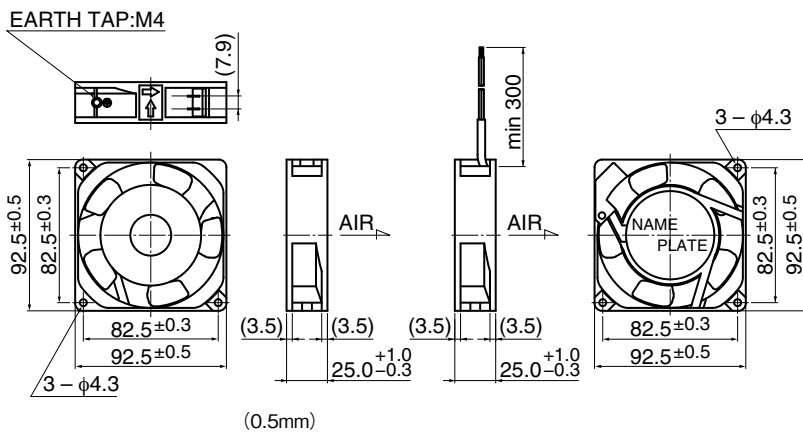


### General Specifications

Motor Structure	Shaded Pole Induction Motor
Motor Protection	Impedance Protection
Insulation Resistance	Min 100MΩ by DC 500V Megger
Dielectric Withstand Voltage	AC1800V 3s
Allowable Ambient Temperature Range	- 10°C ~ + 70°C (Operating) - 40°C ~ + 70°C (Storage) non-condensing environment

**Expected Life** ※ Failure Rate: 10% (L10 Life)  
25°C 100,000 (Hours)

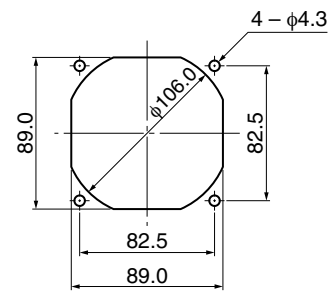
### Outline



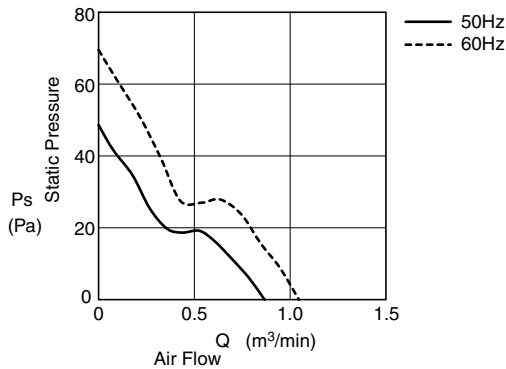
(0.5mm)  
\* Only flange type casing is available.

### Panel Out-cuts

(Inlet Side) / Outlet Side



### Characteristic Curves



### Material

Casing	: Aluminum (Black Painting)
Impeller	: Plastic (Black) UL94V-0
Bearing	: Ball Bearing
Terminal	: Faston #110 or Equiv

Lead Wire type is also available.

Lead Wire : UL3266, AWG22

### Specifications

Model**	Product Number	Rating Voltage (V)	Frequency (Hz)	Starting Voltage (V)	Current (A)*2	Input Power (W)*1	Speed (min-1)*3	Max Air Flow		Max Static Pressure		Noise (dB)*1	Mass (g)
								(m³/min)*3	(CFM)*3	(Pa)*3	(In H2O)*3		
09225PB-A0L-EA	00	100	50	65	0.190	13.0	2600	0.80	28.6	43.1	0.17	33.5	300
	00		60		0.150	10.0	3100	0.98	35.0	60.9	0.24	38.0	
09225PB-A1J-EA	00	115	50	75	0.110	7.0	1450	0.46	16.2	13.8	0.06	21.0	
	00		60		0.090	6.0	1800	0.58	20.5	19.7	0.08	25.0	
09225PB-A1K-EA	00	115	50	75	0.095	7.0	2100	0.60	21.2	29.4	0.12	30.0	
	00		60		0.090	6.0	2500	0.80	28.3	39.2	0.16	35.0	
09225PB-A1L-EA	00	115	50	75	0.170	12.0	2600	0.80	28.6	43.1	0.17	33.5	
	00		60		0.130	9.0	3100	0.98	35.0	60.9	0.24	38.0	
09225PB-B0L-EA	00	200	50	130	0.100	13.0	2600	0.80	28.6	43.1	0.17	33.5	
	00		60		0.080	10.0	3100	0.98	35.0	60.9	0.24	38.0	
09225PB-B2L-EA	00	220	50	165	0.100	13.0	2600	0.80	28.6	43.1	0.17	33.5	
	00		60		0.080	10.0	3100	0.98	35.0	60.9	0.24	38.0	
09225PB-B3L-EA	00	230	50	180	0.090	13.0	2600	0.80	28.6	43.1	0.17	33.5	
	00		60		0.070	10.0	3100	0.98	35.0	60.9	0.24	38.0	
09225PB-B4L-EA	00	240	50	180	0.085	13.0	2600	0.80	28.6	43.1	0.17	33.5	
	00		60		0.065	10.0	3100	0.98	35.0	60.9	0.24	38.0	

Rotation: Counterclockwise as seen from the label side  
Airflow Outlet: Label side

Terminal (-EA-) and lead wire (-AA-) version available

\*1: Average Values in Free Air  
\*2: Maximum Values in Free Air  
\*3: Minimum Values in Free Air